

# ERM-EX

## Radiaksijalni ventilatori povećanog stepena sigurnosti “Increased safety” mixed flow fans



### OSNOVNI PODACI :

ERM – EX ventilatori su jedini radiaksijalni ventilatori povećanog stepena sigurnosti – Eex – e dostupni na tržištu . Specifična konstrukcija dozvoljava ugradnju u rizičnom okruženju kao što je : ( fabrika akumulatora, boja... itd ). Pažnja ! ( odabir tipa sigurnosti motora zavisi od zone – mesta i stepena rizičnosti okoline gde se ventilator montira-ugrađuje.)

Pogledati stranice koje slede . Pogodan za transport čistog vazduha do temperature od 50 °C.

ERM – EX serije nisu pogodne za regulaciju.

### KONSTRUKCIJA :

- Kućište i radno kolo su izrađeni od specijalnog plastičnog materijala otpornog na varnice-udare .

- Monofazni električni motor , IP 54 , klase B , sa termo zaštitom.

Pogodan za neprekidan rad.

- Izvedba Eex- e IIB T3 u skladu sa EN50014/77 i EN50019/77, VDE0170/0171 standardima.

- El. Konekcija koja se nalazi u eksternoj kutiji , je otporna na spoljašnje vremenske uticaje sa stepenom zaštite IP 54 .

### PAŽNJA :

Odabir tipa sigurnosti motora zavisi od zone – opasnosti i stepena rizičnosti okoline gde se ventilator montira-ugrađuje.

Samo kompetentni nadležni organi mogu odrediti klasu-zonu opasnosti rizične-hazardne okoline.

### GENERAL DESCRIPTION

The ERM-EX fans are the only mixed flow in line series in increased safety execution “EEx-e” available on the market. The particular construction allows the installation in hazardous environment as: battery rooms, dyeing-plants, garages, etc. (Note: the choice of the type of the motor protection must be made in function of the dangerous zones and classes of hazardous areas in which the fan will be installed in. See the following pages). Suitable to convey clean air with working temperature upto 50°C. The ERM-EX series are not suitable for regulation.

### CONSTRUCTION

- Housing and impeller are manufactured in sparkproof plastic material resistant to the impacts.

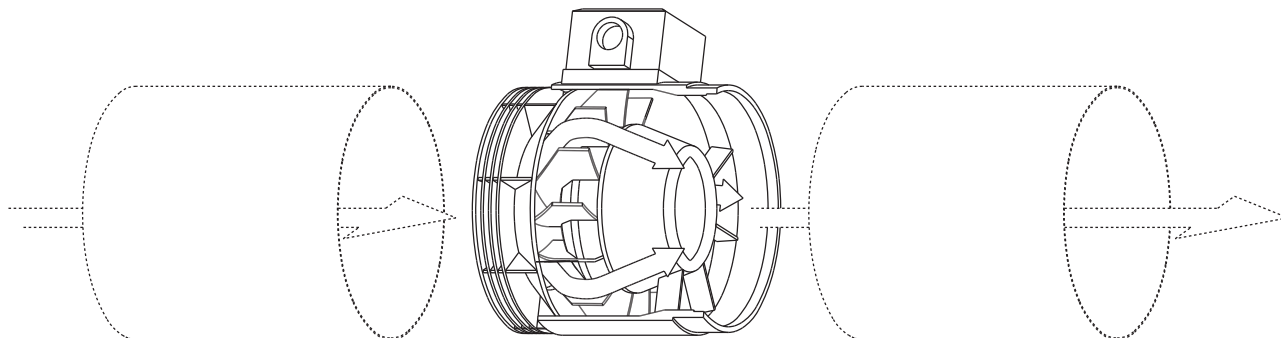
- Single-phase electric motor, IP 54, class B, with thermal protection. Suitable for working in continuous service. Execution EEx-e IIB T3, according to EN50014/77 and EN50019/77, VDE0170/0171 standards.

- Electric connections enclosed in an external terminal box, resistant to atmospheric agents with IP54 protection degree.

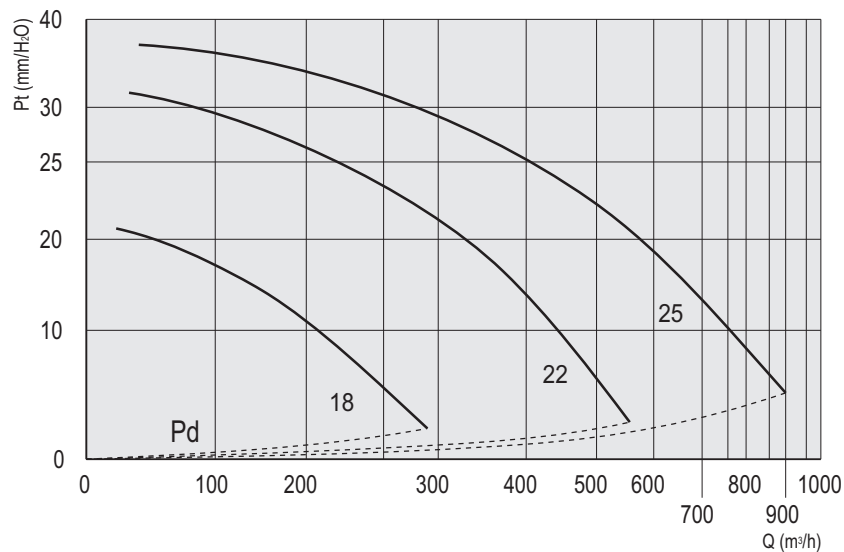
### ATTENTION

The choice of the motor protection type must be made in function of the zones of danger and the classes of hazardous areas, which the fan will be installed in. Only the competent authorities can attribute the classes and the zones of danger to the hazardous areas.

SEK. 7

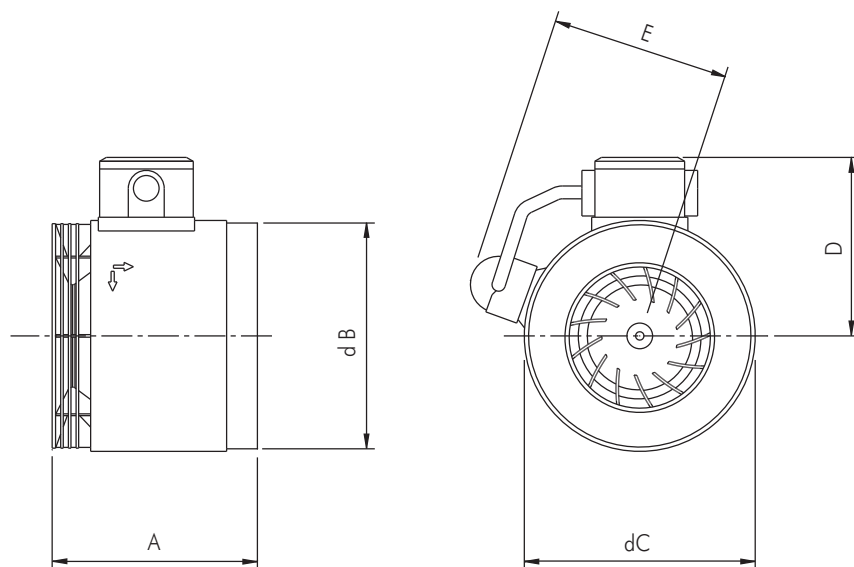


Frekvencija 50 Hz - Temperatura vazduha 15°C – Barometarski pritisak 760 mm Hg – Specifična težina vazduha 1,22 Kg/m<sup>3</sup>  
 Frequency 50Hz – Air temperature 15°C – Barometric pressure 760 mm Hg – Air specific weight 1,22 Kg/m<sup>3</sup>



ERM-EX

Tip Type	Model Model	U	r.p.m.	Pm (kW)	In max (A)	IP/CL	Lw dB(A)
ERM-EX	18	M	2760	0,059	0,28	54/B	64
ERM-EX	22	M	2850	0,2	0,93	54/B	74
ERM-EX	25	M	2890	0,3	1,42	54/B	80



Tip/Type	A	dB	dC	D	E	kg
ERM-Ex 18	161	175	180	137	140	2
ERM-Ex 22	175	221	230	165	165	5
ERM-Ex 25	205	245	255	178	180	6,5

Dimenzije u mm/Dimensions in mm